



2024  
Price List

# Flat & Line Decorative Radiator



## About Warmhaus

Warmhaus is an affiliate of Beyçelik Holding which produces boilers, high capacity wall hung condensing boilers, water heaters and steel panel radiators with experience in HVAC industry since 1996.

Warmhaus is amongst the top 10 radiator producers in the world and the top 4 in Turkey and Warmhaus products heat one of every seven houses in Turkey and many in more than +50 countries.

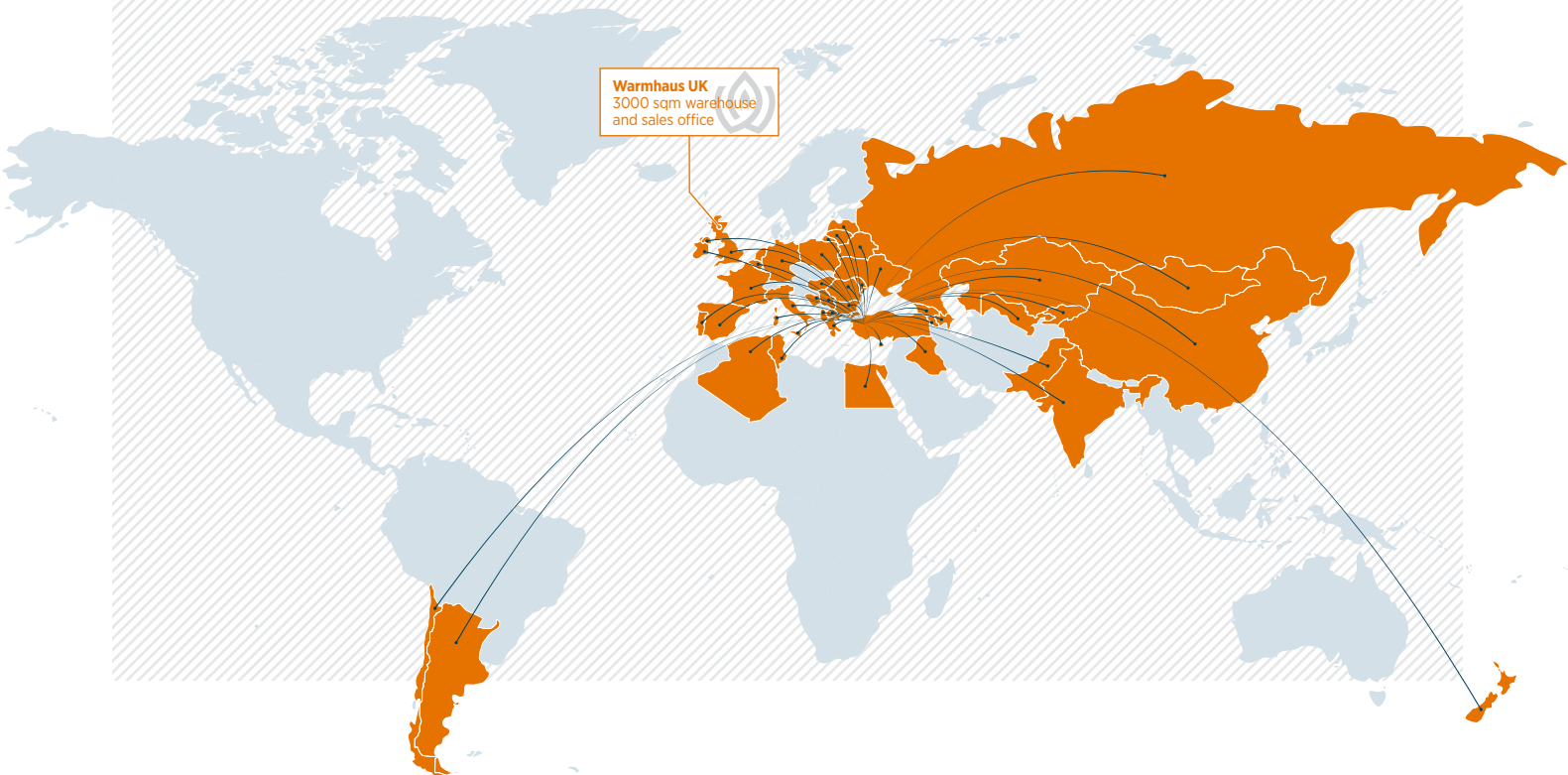
Warmhaus produces boilers, high capacity wall hung condensing boilers, water heaters and steel panel radiators.

## Global Heating Brand

Products developed by Warmhaus R&D center are shipped all over the world.

- ▶ Albania
- ▶ Algeria
- ▶ Argentina
- ▶ Azerbaijan
- ▶ Belgium
- ▶ Bosnia
- ▶ Bulgaria
- ▶ Chile
- ▶ China
- ▶ Egypt
- ▶ Estonia
- ▶ France
- ▶ Georgia
- ▶ Germany
- ▶ Greece
- ▶ Hungary
- ▶ India
- ▶ Iraq
- ▶ Ireland
- ▶ Italy
- ▶ Jordan
- ▶ Kazakhstan
- ▶ Kosovo
- ▶ Kyrgyzstan
- ▶ Latvia
- ▶ Lithuania
- ▶ Macedonia
- ▶ Moldova
- ▶ Mongolia
- ▶ Netherlands
- ▶ Northern Cyprus
- ▶ Poland
- ▶ Portugal
- ▶ Romania
- ▶ Russia
- ▶ Serbia
- ▶ Spain
- ▶ Tunisia
- ▶ Turkmenistan
- ▶ Ukraine
- ▶ United Kingdom
- ▶ Uzbekistan

Warmhaus UK  
3000 sqm warehouse  
and sales office



# Decorative Panel Radiators



HORIZONTAL DECORATIVE



VERTICAL DECORATIVE



## Elegant

Warmhaus offers the Decorative Panel Radiators range to satisfy the demand of elegance, style and flexibility. We have a broad range of products available in various color, finish and size alternatives.

## ACCESSORIES



# Horizontal Decorative Panel Radiators



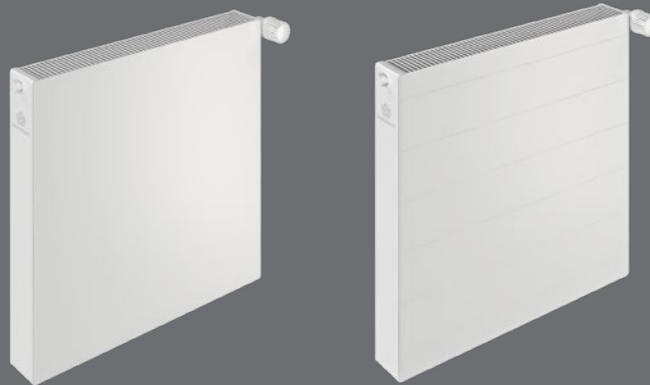
Test Pressure <b>13</b> bar	Max. Operation Pressure <b>10</b> bar	Max. Water Temperature <b>110</b> °C	Warranty <b>10</b> 	Number of Connection <b>4xDIN</b> <b>6xDIN</b> G 1/2
-----------------------------------	---	--	---------------------------	---

# Flat and Line

Warmhaus Horizontal Decorative Panel Radiators have surface with optimum thermal efficiency and they are easy to clean in addition to their elegant look. They provide the functionality and benefits of standard and compact radiators.

All the advantages of a compact ventilator and in-line radiator can be applied to a flat radiator. Flat radiators can be customized with vertical or horizontal lines, wide color range and pattern options.

- Elegant appearance with smooth surface
- Flat and horizontal line options



Flat

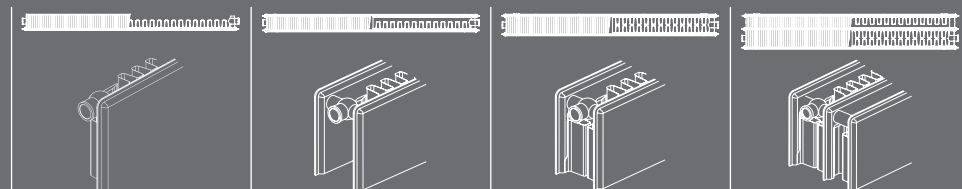
Line

Type 11

Type 21

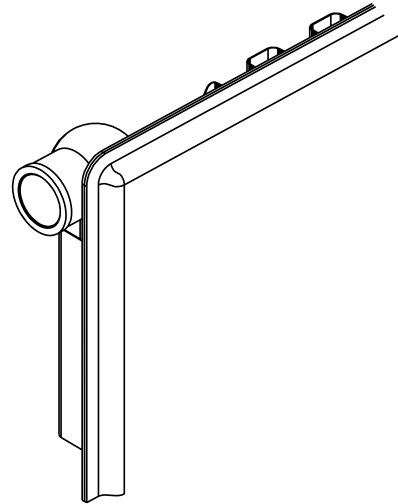
Type 22

Type 33



Width (mm)	60	70	105	160
Height (mm)	300-400-500-600-700-900	300-400-500-600-700-900	300-400-500-600-700-900	300-400-500-600-700-900
Length (mm)	400-3000	400-3000	400-3000	400-3000

# Standart Flat & Line Radiator Type 11



Width (mm)	60
Height (mm)	300-400-500-600-700-900
Length (mm)	400-3000

Interval for length [Lengths (mm)]	Lengths produced at 100 mm intervals	: [400 - 500 - 600 - 700 - 800 - 900 - 1000 - 1100 - 1200 - 1300 - 1400 - 1500 - 1600]
	Lengths produced at 200 mm intervals	: [1800 - 2000 - 2200 - 2400 - 2600 - 2800 - 3000]

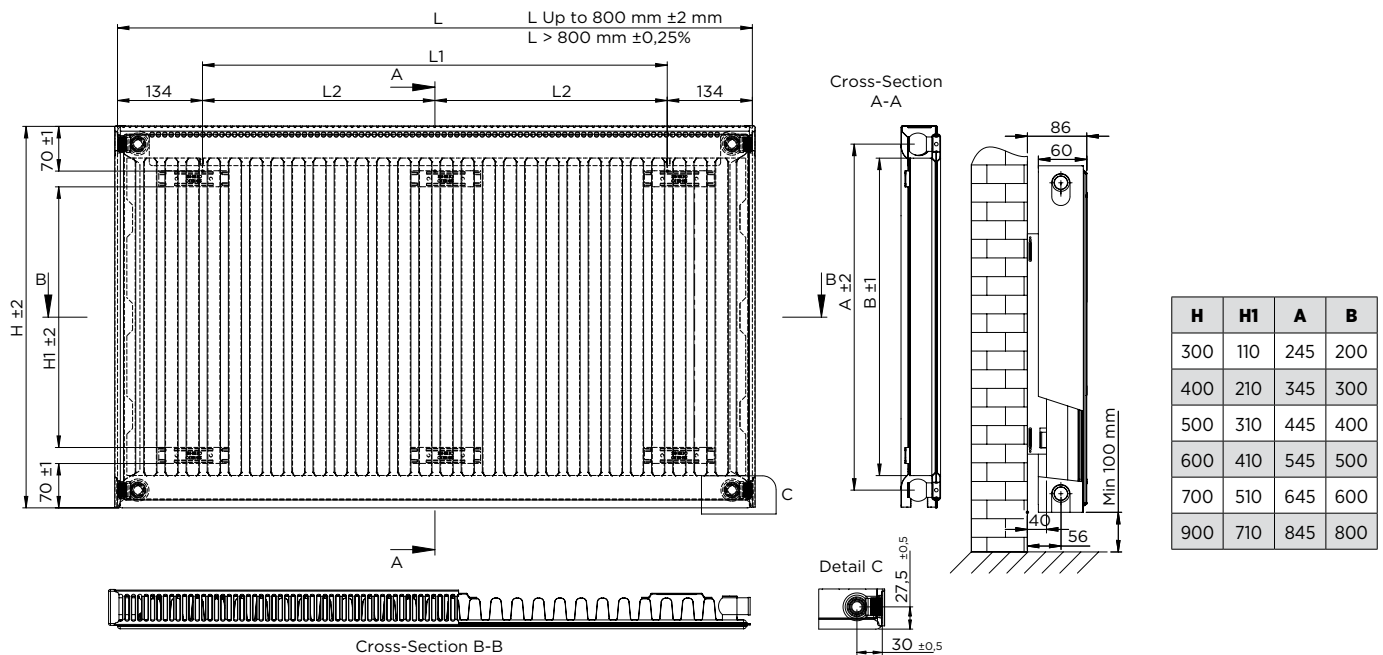
	Product Code	Description	Price (Inc. VAT)	Watt	BTU ( $\Delta T = 50$ )	BTU ( $\Delta T = 60$ )
FLAT	PN1130060FN0093	Standard Flat Radiator Type 11 300*0600	£110,92	250	853	1081
	PN1130100FN0093	Standard Flat Radiator Type 11 300*1000	£311,37	416	1419	1799
	PN1130120FN0093	Standard Flat Radiator Type 11 300*1200	£218,93	499	1702	2158
	PN1130140FN0093	Standard Flat Radiator Type 11 300*1400	£249,58	582	1985	2516
	PN1140040FN0093	Standard Flat Radiator Type 11 400*0400	£106,60	216	737	934
	PN1140060FN0093	Standard Flat Radiator Type 11 400*0600	£141,78	325	1108	1405
	PN1140080FN0093	Standard Flat Radiator Type 11 400*0800	£179,22	433	1477	1872
	PN1140100FN0093	Standard Flat Radiator Type 11 400*1000	£217,03	541	1845	2339
	PN1140120FN0093	Standard Flat Radiator Type 11 400*1200	£254,19	649	2213	2806
	PN1140140FN0093	Standard Flat Radiator Type 11 400*1400	£291,70	757	2581	3273
	PN1140160FN0093	Standard Flat Radiator Type 11 400*1600	£329,23	866	2953	3744
	PN1150040FN0093	Standard Flat Radiator Type 11 500*0400	£130,42	266	907	1150
	PN1150060FN0093	Standard Flat Radiator Type 11 500*0600	£169,05	400	1364	1730
	PN1150080FN0093	Standard Flat Radiator Type 11 500*0800	£215,23	533	1818	2305
	PN1150100FN0093	Standard Flat Radiator Type 11 500*1000	£261,60	666	2271	2880
	PN1150120FN0093	Standard Flat Radiator Type 11 500*1200	£308,37	799	2725	3455
	PN1150140FN0093	Standard Flat Radiator Type 11 500*1400	£354,81	932	3178	4030
	PN1150160FN0093	Standard Flat Radiator Type 11 500*1600	£401,17	1066	3635	4609
	PN1160040FN0093	Standard Flat Radiator Type 11 600*0400	£149,18	316	1078	1366
	PN1160060FN0093	Standard Flat Radiator Type 11 600*0600	£194,38	475	1620	2054
	PN1160080FN0093	Standard Flat Radiator Type 11 600*0800	£249,38	633	2159	2737
	PN1160100FN0093	Standard Flat Radiator Type 11 600*1000	£304,74	791	2697	3420
	PN1160120FN0093	Standard Flat Radiator Type 11 600*1200	£359,86	949	3236	4103
	PN1160140FN0093	Standard Flat Radiator Type 11 600*1400	£414,97	1107	3775	4787
	PN1160160FN0093	Standard Flat Radiator Type 11 600*1600	£469,92	1266	4317	5474
	PN1160180FN0093	Standard Flat Radiator Type 11 600*1800	£525,15	1424	4856	6157
PN1160200FN0093	Standard Flat Radiator Type 11 600*2000	£581,86	1582	5395	6840	

	Product Code	Description	Price (Inc. VAT)	Watt	BTU ( $\Delta T = 50$ )	BTU ( $\Delta T = 60$ )
LINE	PN1130060EN0093	Standard Line Radiator Type 11 300*0600	£127,56	250	853	1081
	PN1130100EN0093	Standard Line Radiator Type 11 300*1000	£358,08	416	1419	1799
	PN1130120EN0093	Standard Line Radiator Type 11 300*1200	£251,77	499	1702	2158
	PN1130140EN0093	Standard Line Radiator Type 11 300*1400	£287,01	582	1985	2516
	PN1140040EN0093	Standard Line Radiator Type 11 400*0400	£122,59	216	737	934
	PN1140060EN0093	Standard Line Radiator Type 11 400*0600	£163,05	325	1108	1405
	PN1140080EN0093	Standard Line Radiator Type 11 400*0800	£206,10	433	1477	1872
	PN1140100EN0093	Standard Line Radiator Type 11 400*1000	£249,59	541	1845	2339
	PN1140120EN0093	Standard Line Radiator Type 11 400*1200	£292,31	649	2213	2806
	PN1140140EN0093	Standard Line Radiator Type 11 400*1400	£335,46	757	2581	3273
	PN1140160EN0093	Standard Line Radiator Type 11 400*1600	£378,62	866	2953	3744
	PN1150040EN0093	Standard Line Radiator Type 11 500*0400	£149,98	266	907	1150
	PN1150060EN0093	Standard Line Radiator Type 11 500*0600	£194,41	400	1364	1730
	PN1150080EN0093	Standard Line Radiator Type 11 500*0800	£247,52	533	1818	2305
	PN1150100EN0093	Standard Line Radiator Type 11 500*1000	£300,84	666	2271	2880
	PN1150120EN0093	Standard Line Radiator Type 11 500*1200	£354,63	799	2725	3455
	PN1150140EN0093	Standard Line Radiator Type 11 500*1400	£408,03	932	3178	4030
	PN1150160EN0093	Standard Line Radiator Type 11 500*1600	£461,34	1066	3635	4609
	PN1160040EN0093	Standard Line Radiator Type 11 600*0400	£171,56	316	1078	1366
	PN1160060EN0093	Standard Line Radiator Type 11 600*0600	£223,54	475	1620	2054
	PN1160080EN0093	Standard Line Radiator Type 11 600*0800	£286,79	633	2159	2737
	PN1160100EN0093	Standard Line Radiator Type 11 600*1000	£350,45	791	2697	3420
	PN1160120EN0093	Standard Line Radiator Type 11 600*1200	£413,84	949	3236	4103
	PN1160140EN0093	Standard Line Radiator Type 11 600*1400	£477,22	1107	3775	4787
	PN1160160EN0093	Standard Line Radiator Type 11 600*1600	£540,41	1266	4317	5474
	PN1160180EN0093	Standard Line Radiator Type 11 600*1800	£603,93	1424	4856	6157
PN1160200EN0093	Standard Line Radiator Type 11 600*2000	£669,14	1582	5395	6840	



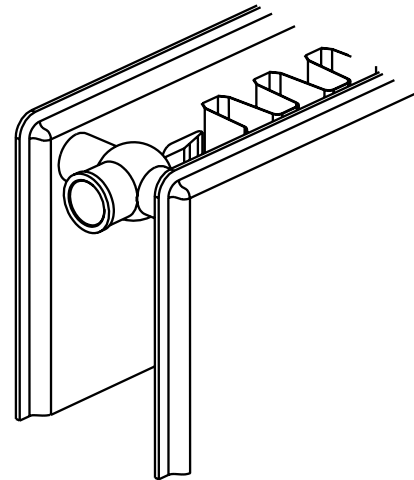
### DIMENSIONAL SPECIFICATIONS

Type	Nominal Size (mm)	Center of Distance (mm)	Width (mm)	Length Min. - Max. (mm)	Water Content (L/m)
11 PK	300	245	60	400 - 3000	1,86
	400	345	60	400 - 3000	2,3
	500	445	60	400 - 3000	2,85
	600	545	60	400 - 3000	3,4
	700	645	60	400 - 3000	3,95
	900	845	60	400 - 3000	4,94



<b>L</b>	400	500	600	700	800	900	1000	1100	1200	1300	1400	1500	1600	1700	1800	1900	2000	2100	2200	2300	2400	2500	2600	2700	2800	2900	3000
<b>L1</b>	132	232	332	432	532	632	732	832	932	1032	1132	1232	1332	1432	1532	1632	1732	1832	1932	2032	2132	2232	2332	2432	2532	2632	2732
<b>L2</b>															766	816	866	916	966	1016	1066	1116	1166	1216	1266	1316	1366

# Standart Flat & Line Radiator Type 21



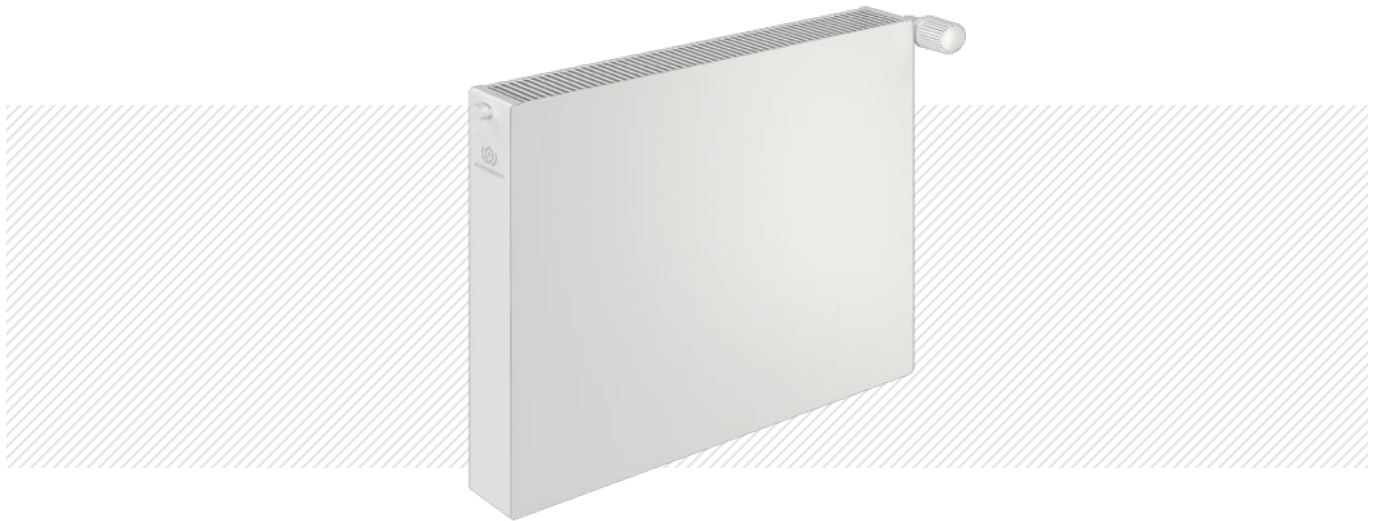
Width (mm)	70
Height (mm)	300-400-500-600-700-900
Length (mm)	400-3000

Interval for length [Lengths (mm)]	Lengths produced at 100 mm intervals	: [400 - 500 - 600 - 700 - 800 - 900 - 1000 - 1100 - 1200 - 1300 - 1400 - 1500 - 1600]
	Lengths produced at 200 mm intervals	: [1800 - 2000 - 2200 - 2400 - 2600 - 2800 - 3000]

	Product Code	Description	Price (Inc. VAT)	Watt	BTU ( $\Delta T = 50$ )	BTU ( $\Delta T = 60$ )
	<b>FLAT</b>	PN2130060FN0093	Standard Flat Radiator Type 21 300*0600	£180,19	391	1333
PN2130100FN0093		Standard Flat Radiator Type 21 300*1000	£282,43	652	2223	2819
PN2130120FN0093		Standard Flat Radiator Type 21 300*1200	£333,62	782	2667	3381
PN2130140FN0093		Standard Flat Radiator Type 21 300*1400	£384,50	913	3113	3948
PN2140040FN0093		Standard Flat Radiator Type 21 400*0400	£141,20	328	1118	1418
PN2140060FN0093		Standard Flat Radiator Type 21 400*0600	£189,68	492	1678	2127
PN2140080FN0093		Standard Flat Radiator Type 21 400*0800	£244,71	656	2237	2836
PN2140100FN0093		Standard Flat Radiator Type 21 400*1000	£297,29	820	2796	3546
PN2140120FN0093		Standard Flat Radiator Type 21 400*1200	£351,18	984	3355	4255
PN2140140FN0093		Standard Flat Radiator Type 21 400*1400	£404,74	1148	3915	4964
PN2140160FN0093		Standard Flat Radiator Type 21 400*1600	£458,47	1312	4474	5673
PN2150040FN0093		Standard Flat Radiator Type 21 500*0400	£167,65	395	1347	1708
PN2150060FN0093		Standard Flat Radiator Type 21 500*0600	£225,47	592	2019	2560
PN2150080FN0093		Standard Flat Radiator Type 21 500*0800	£291,48	790	2694	3416
PN2150100FN0093		Standard Flat Radiator Type 21 500*1000	£356,95	987	3366	4268
PN2150120FN0093		Standard Flat Radiator Type 21 500*1200	£423,09	1184	4037	5119
PN2150140FN0093		Standard Flat Radiator Type 21 500*1400	£488,92	1382	4713	5976
PN2150160FN0093		Standard Flat Radiator Type 21 500*1600	£554,37	1579	5384	6827
PN2160040FN0093		Standard Flat Radiator Type 21 600*0400	£190,40	462	1575	1998
PN2160060FN0093		Standard Flat Radiator Type 21 600*0600	£261,60	693	2363	2996
PN2160080FN0093		Standard Flat Radiator Type 21 600*0800	£339,66	924	3151	3995
PN2160100FN0093		Standard Flat Radiator Type 21 600*1000	£417,41	1155	3939	4994
PN2160120FN0093		Standard Flat Radiator Type 21 600*1200	£494,95	1386	4726	5993
PN2160140FN0093		Standard Flat Radiator Type 21 600*1400	£573,17	1617	5514	6992
PN2160160FN0093		Standard Flat Radiator Type 21 600*1600	£650,94	1848	6302	7991
PN2160180FN0093		Standard Flat Radiator Type 21 600*1800	£743,42	2079	7089	8989
PN2160200FN0093	Standard Flat Radiator Type 21 600*2000	£819,55	2310	7877	9988	

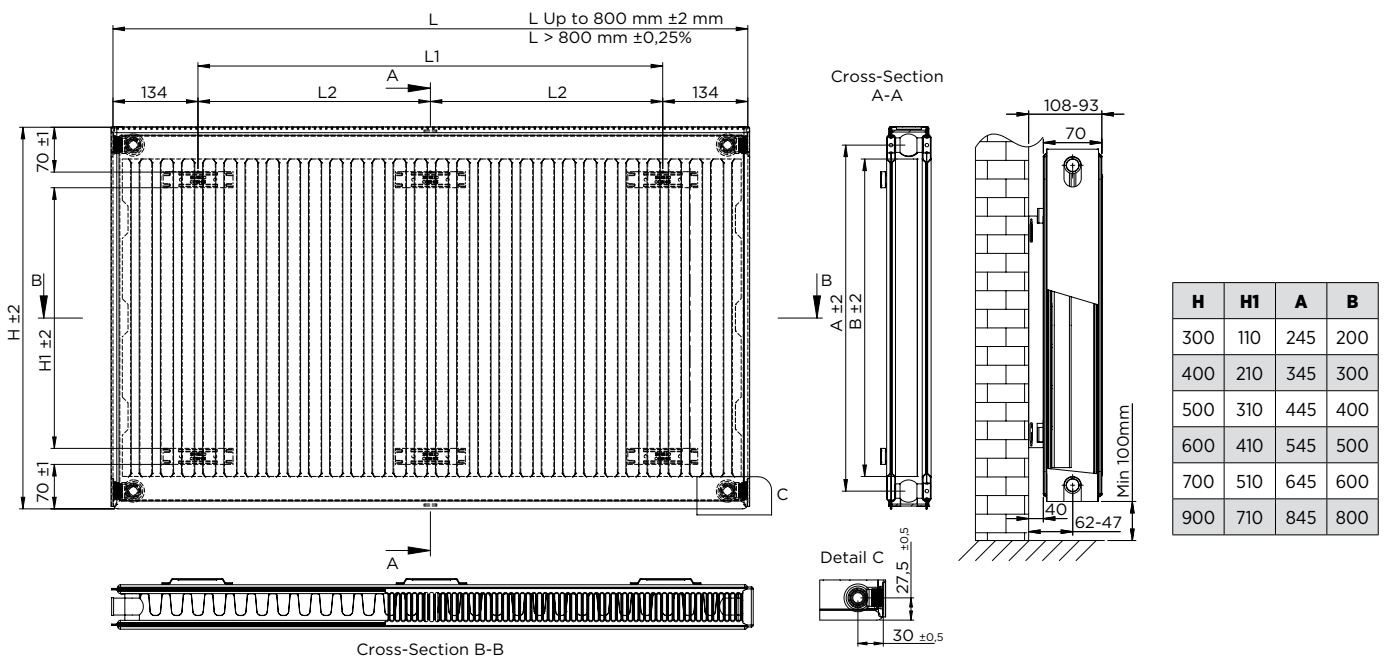
	Product Code	Description	Price (Inc. VAT)	Watt	BTU ( $\Delta T = 50$ )	BTU ( $\Delta T = 60$ )
	<b>LINE</b>	PN2130060EN0093	Standard Line Radiator Type 21 300*0600	£207,22	391	1333
PN2130100EN0093		Standard Line Radiator Type 21 300*1000	£324,79	652	2223	2819
PN2130120EN0093		Standard Line Radiator Type 21 300*1200	£383,67	782	2667	3381
PN2130140EN0093		Standard Line Radiator Type 21 300*1400	£442,18	913	3113	3948
PN2140040EN0093		Standard Line Radiator Type 21 400*0400	£162,38	328	1118	1418
PN2140060EN0093		Standard Line Radiator Type 21 400*0600	£218,13	492	1678	2127
PN2140080EN0093		Standard Line Radiator Type 21 400*0800	£281,41	656	2237	2836
PN2140100EN0093		Standard Line Radiator Type 21 400*1000	£341,89	820	2796	3546
PN2140120EN0093		Standard Line Radiator Type 21 400*1200	£403,86	984	3355	4255
PN2140140EN0093		Standard Line Radiator Type 21 400*1400	£465,45	1148	3915	4964
PN2140160EN0093		Standard Line Radiator Type 21 400*1600	£527,24	1312	4474	5673
PN2150040EN0093		Standard Line Radiator Type 21 500*0400	£192,80	395	1347	1708
PN2150060EN0093		Standard Line Radiator Type 21 500*0600	£259,30	592	2019	2560
PN2150080EN0093		Standard Line Radiator Type 21 500*0800	£335,20	790	2694	3416
PN2150100EN0093		Standard Line Radiator Type 21 500*1000	£410,50	987	3366	4268
PN2150120EN0093		Standard Line Radiator Type 21 500*1200	£486,56	1184	4037	5119
PN2150140EN0093		Standard Line Radiator Type 21 500*1400	£562,26	1382	4713	5976
PN2150160EN0093		Standard Line Radiator Type 21 500*1600	£637,52	1579	5384	6827
PN2160040EN0093		Standard Line Radiator Type 21 600*0400	£218,96	462	1575	1998
PN2160060EN0093		Standard Line Radiator Type 21 600*0600	£300,84	693	2363	2996
PN2160080EN0093		Standard Line Radiator Type 21 600*0800	£390,61	924	3151	3995
PN2160100EN0093		Standard Line Radiator Type 21 600*1000	£480,02	1155	3939	4994
PN2160120EN0093		Standard Line Radiator Type 21 600*1200	£569,19	1386	4726	5993
PN2160140EN0093		Standard Line Radiator Type 21 600*1400	£659,14	1617	5514	6992
PN2160160EN0093		Standard Line Radiator Type 21 600*1600	£748,58	1848	6302	7991
PN2160180EN0093		Standard Line Radiator Type 21 600*1800	£854,93	2079	7089	8989
PN2160200EN0093	Standard Line Radiator Type 21 600*2000	£942,48	2310	7877	9988	





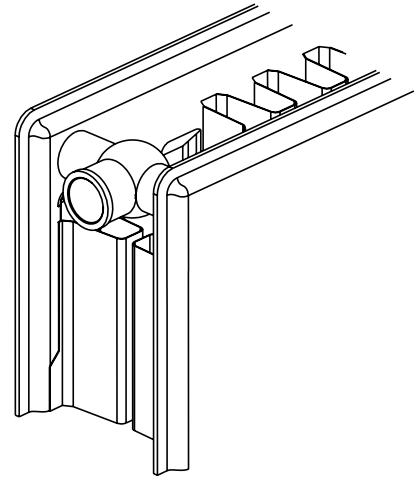
### DIMENSIONAL FEATURES

Type	Nominal Size (mm)	Center of Distance (mm)	Width (mm)	Length Min. - Max. (mm)	Water Content (L/m)
21 PKP	300	245	70	400 - 3000	3,78
	400	345	70	400 - 3000	4,79
	500	445	70	400 - 3000	5,79
	600	545	70	400 - 3000	6,8
	700	645	70	400 - 3000	7,93
	900	845	70	400 - 3000	10,2



L	400	500	600	700	800	900	1000	1100	1200	1300	1400	1500	1600	1700	1800	1900	2000	2100	2200	2300	2400	2500	2600	2700	2800	2900	3000
L1	132	232	332	432	532	632	732	832	932	1032	1132	1232	1332	1432	1532	1632	1732	1832	1932	2032	2132	2232	2332	2432	2532	2632	2732
L2															766	816	866	916	966	1016	1066	1116	1166	1216	1266	1316	1366

# Standart Flat & Line Radiator Type 22



Width (mm)	105
Height (mm)	300-400-500-600-700-900
Length (mm)	400-3000

Interval for length [Lengths (mm)]	Lengths produced at 100 mm intervals	: [400 - 500 - 600 - 700 - 800 - 900 - 1000 - 1100 - 1200 - 1300 - 1400 - 1500 - 1600]
	Lengths produced at 200 mm intervals	: [1800 - 2000 - 2200 - 2400 - 2600 - 2800 - 3000]

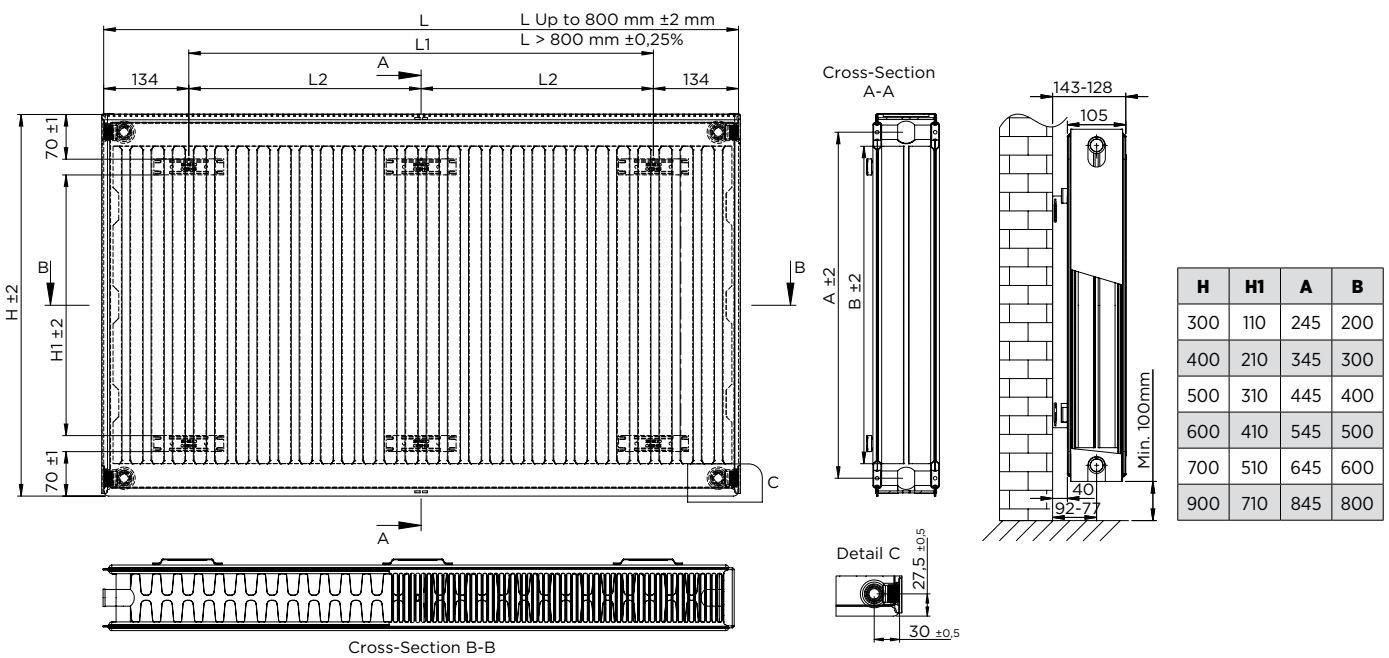
	Product Code	Description	Price (Inc. VAT)	Watt	BTU ( $\Delta T = 50$ )	BTU ( $\Delta T = 60$ )
FLAT	PN2230060FN0093	STANDARD FLAT RADIATOR TYPE 22 300*0600	£147,75	500	1705	2162
	PN2230100FN0093	STANDARD FLAT RADIATOR TYPE 22 300*1000	£255,89	834	2844	3606
	PN2230120FN0093	STANDARD FLAT RADIATOR TYPE 22 300*1200	£300,88	1001	3413	4328
	PN2230140FN0093	STANDARD FLAT RADIATOR TYPE 22 300*1400	£346,29	1168	3983	5050
	PN2240040FN0093	STANDARD FLAT RADIATOR TYPE 22 400*0400	£269,76	429	1463	1855
	PN2240060FN0093	STANDARD FLAT RADIATOR TYPE 22 400*0600	£203,62	643	2193	2780
	PN2240080FN0093	STANDARD FLAT RADIATOR TYPE 22 400*0800	£261,69	858	2926	3710
	PN2240100FN0093	STANDARD FLAT RADIATOR TYPE 22 400*1000	£320,03	1072	3656	4635
	PN2240120FN0093	STANDARD FLAT RADIATOR TYPE 22 400*1200	£378,10	1286	4385	5561
	PN2240140FN0093	STANDARD FLAT RADIATOR TYPE 22 400*1400	£443,72	1501	5118	6490
	PN2240160FN0093	STANDARD FLAT RADIATOR TYPE 22 400*1600	£494,70	643	2193	2780
	PN2250040FN0093	STANDARD FLAT RADIATOR TYPE 22 500*0400	£179,77	524	1787	2266
	PN2250060FN0093	STANDARD FLAT RADIATOR TYPE 22 500*0600	£246,04	786	2680	3399
	PN2250080FN0093	STANDARD FLAT RADIATOR TYPE 22 500*0800	£318,35	1048	3574	4531
	PN2250100FN0093	STANDARD FLAT RADIATOR TYPE 22 500*1000	£390,40	1310	4467	5664
	PN2250120FN0093	STANDARD FLAT RADIATOR TYPE 22 500*1200	£463,21	1572	5361	6797
	PN2250140FN0093	STANDARD FLAT RADIATOR TYPE 22 500*1400	£535,19	1834	6254	7930
	PN2250160FN0093	STANDARD FLAT RADIATOR TYPE 22 500*1600	£607,32	2096	7147	9063
	PN2260040FN0093	STANDARD FLAT RADIATOR TYPE 22 600*0400	£210,73	619	2111	2676
	PN2260060FN0093	STANDARD FLAT RADIATOR TYPE 22 600*0600	£290,28	929	3168	4017
	PN2260080FN0093	STANDARD FLAT RADIATOR TYPE 22 600*0800	£378,31	1238	4222	5353
	PN2260100FN0093	STANDARD FLAT RADIATOR TYPE 22 600*1000	£464,06	1548	5279	6693
	PN2260120FN0093	STANDARD FLAT RADIATOR TYPE 22 600*1200	£550,76	1858	6336	8034
	PN2260140FN0093	STANDARD FLAT RADIATOR TYPE 22 600*1400	£638,21	2167	7389	9370
	PN2260160FN0093	STANDARD FLAT RADIATOR TYPE 22 600*1600	£725,17	2477	8447	10710
	PN2260180FN0093	STANDARD FLAT RADIATOR TYPE 22 600*1800	£803,91	2786	9500	12046
PN2260200FN0093	STANDARD FLAT RADIATOR TYPE 22 600*2000	£883,28	3096	10557	13387	

	Product Code	Description	Price (Inc. VAT)	Watt	BTU ( $\Delta T = 50$ )	BTU ( $\Delta T = 60$ )
LINE	PN2230060EN0093	Standard Line Radiator Type 22 300*0600	£169,91	500	1705	2162
	PN2230100EN0093	Standard Line Radiator Type 22 300*1000	£294,27	834	2844	3606
	PN2230120EN0093	Standard Line Radiator Type 22 300*1200	£346,01	1001	3413	4328
	PN2230140EN0093	Standard Line Radiator Type 22 300*1400	£398,23	1168	3983	5050
	PN2240040EN0093	Standard Line Radiator Type 22 400*0400	£310,22	429	1463	1855
	PN2240060EN0093	Standard Line Radiator Type 22 400*0600	£234,16	643	2193	2780
	PN2240080EN0093	Standard Line Radiator Type 22 400*0800	£300,95	858	2926	3710
	PN2240100EN0093	Standard Line Radiator Type 22 400*1000	£368,03	1072	3656	4635
	PN2240120EN0093	Standard Line Radiator Type 22 400*1200	£434,82	1286	4385	5561
	PN2240140EN0093	Standard Line Radiator Type 22 400*1400	£510,27	1501	5118	6490
	PN2240160EN0093	Standard Line Radiator Type 22 400*1600	£568,90	643	2193	2780
	PN2250040EN0093	Standard Line Radiator Type 22 500*0400	£206,73	524	1787	2266
	PN2250060EN0093	Standard Line Radiator Type 22 500*0600	£282,95	786	2680	3399
	PN2250080EN0093	Standard Line Radiator Type 22 500*0800	£366,10	1048	3574	4531
	PN2250100EN0093	Standard Line Radiator Type 22 500*1000	£448,96	1310	4467	5664
	PN2250120EN0093	Standard Line Radiator Type 22 500*1200	£532,69	1572	5361	6797
	PN2250140EN0093	Standard Line Radiator Type 22 500*1400	£615,47	1834	6254	7930
	PN2250160EN0093	Standard Line Radiator Type 22 500*1600	£698,42	2096	7147	9063
	PN2260040EN0093	Standard Line Radiator Type 22 600*0400	£242,33	619	2111	2676
	PN2260060EN0093	Standard Line Radiator Type 22 600*0600	£333,82	929	3168	4017
	PN2260080EN0093	Standard Line Radiator Type 22 600*0800	£435,05	1238	4222	5353
	PN2260100EN0093	Standard Line Radiator Type 22 600*1000	£533,66	1548	5279	6693
	PN2260120EN0093	Standard Line Radiator Type 22 600*1200	£633,38	1858	6336	8034
	PN2260140EN0093	Standard Line Radiator Type 22 600*1400	£733,94	2167	7389	9370
	PN2260160EN0093	Standard Line Radiator Type 22 600*1600	£833,94	2477	8447	10710
	PN2260180EN0093	Standard Line Radiator Type 22 600*1800	£924,50	2786	9500	12046
PN2260200EN0093	Standard Line Radiator Type 22 600*2000	£1.015,77	3096	10557	13387	



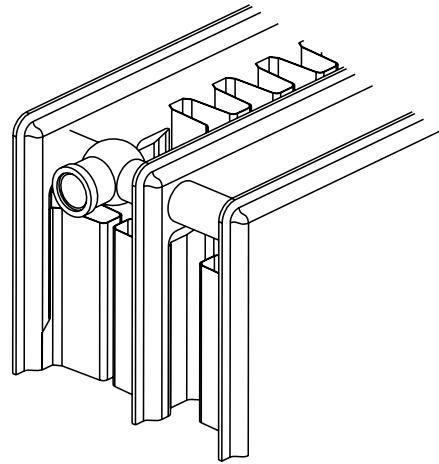
### DIMENSIONAL FEATURES

Type	Nominal Size (mm)	Center of Distance (mm)	Width (mm)	Length Min. - Max. (mm)	Water Content (L/m)
22 PKKP	300	245	105	400 - 3000	3,78
	400	345	105	400 - 3000	4,79
	500	445	105	400 - 3000	5,79
	600	545	105	400 - 3000	6,8
	700	645	105	400 - 3000	7,93
	900	845	105	400 - 3000	10,2



<b>L</b>	400	500	600	700	800	900	1000	1100	1200	1300	1400	1500	1600	1700	1800	1900	2000	2100	2200	2300	2400	2500	2600	2700	2800	2900	3000
<b>L1</b>	132	232	332	432	532	632	732	832	932	1032	1132	1232	1332	1432	1532	1632	1732	1832	1932	2032	2132	2232	2332	2432	2532	2632	2732
<b>L2</b>															766	816	866	916	966	1016	1066	1116	1166	1216	1266	1316	1366

# Standart Flat & Line Radiator Type 33



Width (mm)	160
Height (mm)	300-400-500-600-700-900
Length (mm)	400-3000

Interval for length [Lengths (mm)]	Lengths produced at 100 mm intervals	: [400 - 500 - 600 - 700 - 800 - 900 - 1000 - 1100 - 1200 - 1300 - 1400 - 1500 - 1600]
	Lengths produced at 200 mm intervals	: [1800 - 2000 - 2200 - 2400 - 2600 - 2800 - 3000]

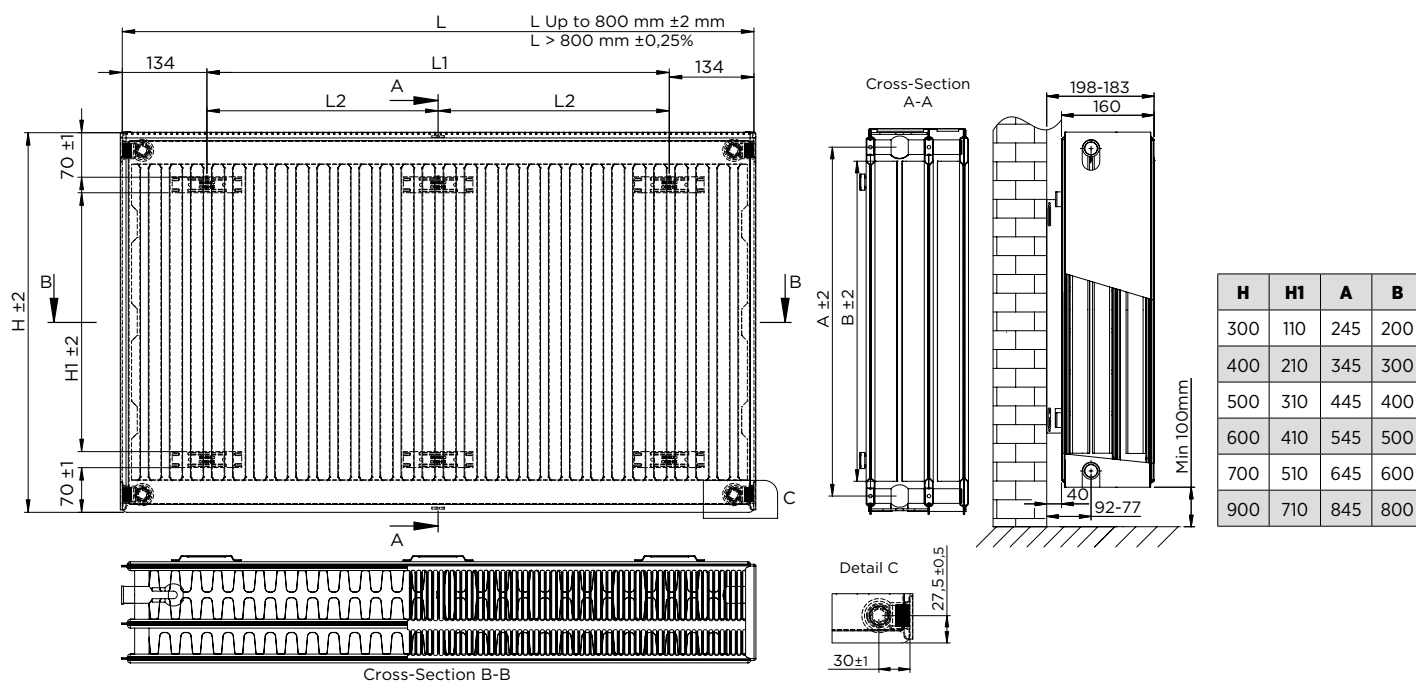
	Product Code	Description	Price (Inc. VAT)	Watt	BTU ( $\Delta T = 50$ )	BTU ( $\Delta T = 60$ )
	<b>FLAT</b>	PN3330060FN0093	Standard Flat Radiator Type 33 300*0600	£265,94	724	2469
PN3330100FN0093		Standard Flat Radiator Type 33 300*1000	£460,60	1206	4112	5215
PN3330120FN0093		Standard Flat Radiator Type 33 300*1200	£541,58	1447	4934	6257
PN3330140FN0093		Standard Flat Radiator Type 33 300*1400	£623,32	1688	5756	7299
PN3340040FN0093		Standard Flat Radiator Type 33 400*0400	£366,51	618	2107	2672
PN3340060FN0093		Standard Flat Radiator Type 33 400*0600	£471,05	927	3161	4008
PN3340080FN0093		Standard Flat Radiator Type 33 400*0800	£485,56	1236	4215	5344
PN3340100FN0093		Standard Flat Radiator Type 33 400*1000	£576,05	1545	5268	6680
PN3340120FN0093		Standard Flat Radiator Type 33 400*1200	£680,59	1854	6322	8016
PN3340140FN0093		Standard Flat Radiator Type 33 400*1400	£798,69	2163	7376	9353
PN3340160FN0093		Standard Flat Radiator Type 33 400*1600	£890,45	2472	8430	10689
PN3350040FN0093		Standard Flat Radiator Type 33 500*0400	£323,58	754	2571	3260
PN3350060FN0093		Standard Flat Radiator Type 33 500*0600	£442,88	1130	3853	4886
PN3350080FN0093		Standard Flat Radiator Type 33 500*0800	£573,03	1507	5139	6516
PN3350100FN0093		Standard Flat Radiator Type 33 500*1000	£702,72	1884	6424	8146
PN3350120FN0093		Standard Flat Radiator Type 33 500*1200	£833,78	2261	7710	9776
PN3350140FN0093		Standard Flat Radiator Type 33 500*1400	£963,34	2638	8996	11406
PN3350160FN0093		Standard Flat Radiator Type 33 500*1600	£1.093,17	3014	10278	13032
PN3360040FN0093		Standard Flat Radiator Type 33 600*0400	£379,31	889	3031	3844
PN3360060FN0093		Standard Flat Radiator Type 33 600*0600	£522,50	1334	4549	5768
PN3360080FN0093		Standard Flat Radiator Type 33 600*0800	£680,96	1778	6063	7688
PN3360100FN0093		Standard Flat Radiator Type 33 600*1000	£835,30	2223	7580	9612
PN3360120FN0093		Standard Flat Radiator Type 33 600*1200	£991,37	2668	9098	11536
PN3360140FN0093		Standard Flat Radiator Type 33 600*1400	£1.148,78	3112	10612	13456
PN3360160FN0093		Standard Flat Radiator Type 33 600*1600	£1.305,30	3557	12129	15380
PN3360180FN0093		Standard Flat Radiator Type 33 600*1800	£1.447,04	4001	13643	17300
PN3360200FN0093		Standard Flat Radiator Type 33 600*2000	£1.589,91	4446	15161	19224

	Product Code	Description	Price (Inc. VAT)	Watt	BTU ( $\Delta T = 50$ )	BTU ( $\Delta T = 60$ )
	<b>LINE</b>	PN3330060EN0093	Standard Line Radiator Type 33 300*0600	£305,83	724	2469
PN3330100EN0093		Standard Line Radiator Type 33 300*1000	£529,68	1206	4112	5215
PN3330120EN0093		Standard Line Radiator Type 33 300*1200	£622,81	1447	4934	6257
PN3330140EN0093		Standard Line Radiator Type 33 300*1400	£716,82	1688	5756	7299
PN3340040EN0093		Standard Line Radiator Type 33 400*0400	£421,49	618	2107	2672
PN3340060EN0093		Standard Line Radiator Type 33 400*0600	£541,70	927	3161	4008
PN3340080EN0093		Standard Line Radiator Type 33 400*0800	£558,40	1236	4215	5344
PN3340100EN0093		Standard Line Radiator Type 33 400*1000	£662,46	1545	5268	6680
PN3340120EN0093		Standard Line Radiator Type 33 400*1200	£782,67	1854	6322	8016
PN3340140EN0093		Standard Line Radiator Type 33 400*1400	£918,49	2163	7376	9353
PN3340160EN0093		Standard Line Radiator Type 33 400*1600	£1.024,02	2472	8430	10689
PN3350040EN0093		Standard Line Radiator Type 33 500*0400	£372,12	754	2571	3260
PN3350060EN0093		Standard Line Radiator Type 33 500*0600	£509,31	1130	3853	4886
PN3350080EN0093		Standard Line Radiator Type 33 500*0800	£658,99	1507	5139	6516
PN3350100EN0093		Standard Line Radiator Type 33 500*1000	£808,13	1884	6424	8146
PN3350120EN0093		Standard Line Radiator Type 33 500*1200	£958,85	2261	7710	9776
PN3350140EN0093		Standard Line Radiator Type 33 500*1400	£1.107,85	2638	8996	11406
PN3350160EN0093		Standard Line Radiator Type 33 500*1600	£1.257,15	3014	10278	13032
PN3360040EN0093		Standard Line Radiator Type 33 600*0400	£436,20	889	3031	3844
PN3360060EN0093		Standard Line Radiator Type 33 600*0600	£600,88	1334	4549	5768
PN3360080EN0093		Standard Line Radiator Type 33 600*0800	£783,10	1778	6063	7688
PN3360100EN0093		Standard Line Radiator Type 33 600*1000	£960,60	2223	7580	9612
PN3360120EN0093		Standard Line Radiator Type 33 600*1200	£1.140,08	2668	9098	11536
PN3360140EN0093		Standard Line Radiator Type 33 600*1400	£1.321,09	3112	10612	13456
PN3360160EN0093		Standard Line Radiator Type 33 600*1600	£1.501,10	3557	12129	15380
PN3360180EN0093		Standard Line Radiator Type 33 600*1800	£1.664,10	4001	13643	17300
PN3360200EN0093		Standard Line Radiator Type 33 600*2000	£1.828,39	4446	15161	19224



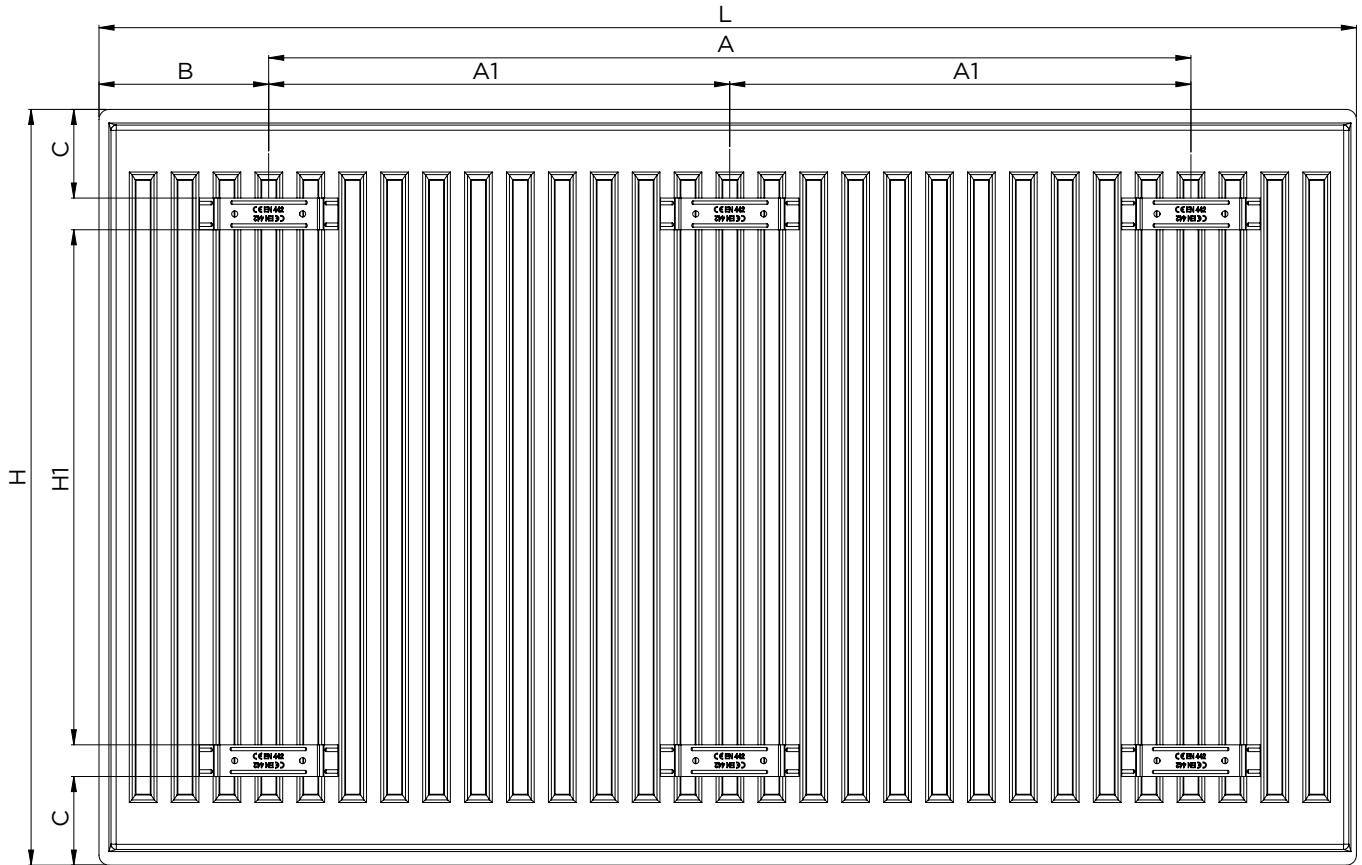
### DIMENSIONAL FEATURES

Type	Nominal Size (mm)	Center of Distance (mm)	Width (mm)	Length Min. - Max. (mm)	Water Content (L/m)
33 DKEK	300	245	160	400 - 3000	5,65
	400	345	160	400 - 3000	7,11
	500	445	160	400 - 3000	8,58
	600	545	160	400 - 3000	10,04
	700	645	105	400 - 3000	11,71
	900	845	160	400 - 3000	15,19



<b>L</b>	400	500	600	700	800	900	1000	1100	1200	1300	1400	1500	1600	1700	1800	1900	2000	2100	2200	2300	2400	2500	2600	2700	2800	2900	3000
<b>L1</b>	132	232	332	432	532	632	732	832	932	1032	1132	1232	1332	1432	1532	1632	1732	1832	1932	2032	2132	2232	2332	2432	2532	2632	2732
<b>L2</b>															766	816	866	916	966	1016	1066	1116	1166	1216	1266	1316	1366

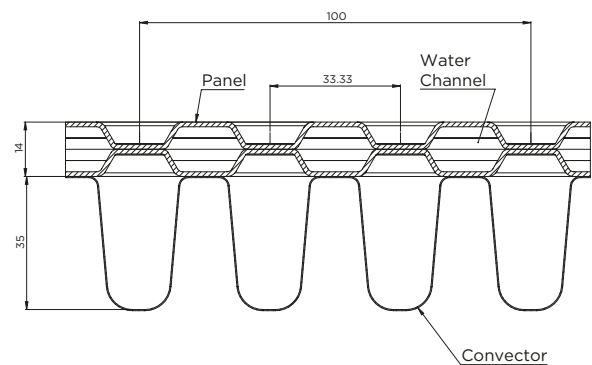
# Horizontal Panel Dimensions



L (mm)	A (mm)	B (mm)	C (mm)	A1 (mm)	Number of Hangers
400	132	134	70		4
500	232	134	70		4
600	332	134	70		4
700	432	134	70		4
800	532	134	70		4
900	632	134	70		4
1000	732	134	70		4
1100	832	134	70		4
1200	932	134	70		4
1300	1032	134	70		4
1400	1132	134	70		4
1500	1232	134	70		4
1600	1332	134	70		4
1800		134	70	766	6
2000		134	70	866	6
2200		134	70	966	6
2400		134	70	1066	6
2600		134	70	1166	6
2800		134	70	1266	6
3000		134	70	1366	6

Radiator Height	H1 (mm)
300	110
400	210
500	310
600	410
700	510
900	710

Radiator Section Detail



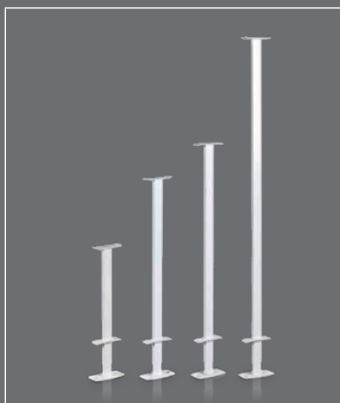


## Accessories

Spring Console



Floor Connection Components



L Console Set



Thermostatic Valve Insert



Size of thermostatic adjustment element: M30 x 1.5

Thermostatic Valve



Radiator Valve



# Vertical Decorative Panel Radiators





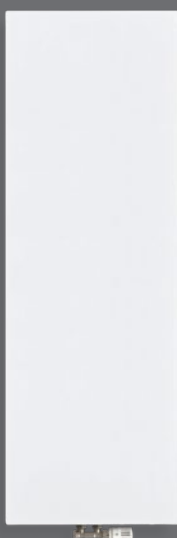
Test Pressure <b>13</b> bar	Max. Operation Pressure <b>10</b> bar	Max. Water Temperature <b>110</b> °C	Warranty <b>10</b> years	Number of Connection <b>4xDIN</b> <b>6xDIN</b> G 1/2
-----------------------------------	---	--	--------------------------------	---

## Best for Limited Spaces

Warmhaus Vertical Radiators are the best solution for small spaces because they only occupy the height of the space. They are available as a standard panel, as well as flat, transverse, longitudinal striped and color options. In addition to being a decorative object, they also have high heat output levels.

- Extensive color and design alternatives
- Possibility for customization with flat and horizontal lines
- Vertical positioning alternative in order to optimal use of space

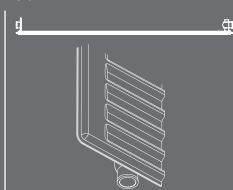
Flat



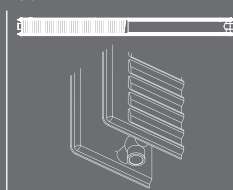
Line



Type 10



Type 20

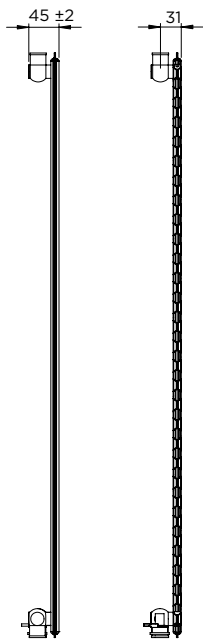
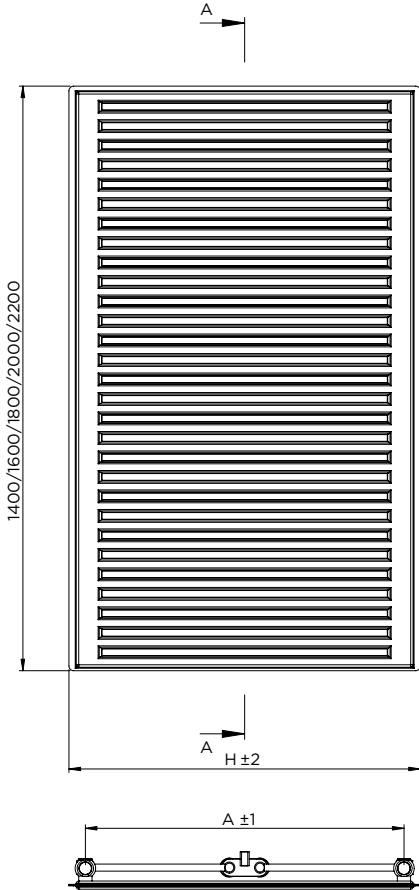


Width (mm)	45 ±2	71 ±2
Height (mm)	1600-2400	1600-2400
Length (mm)	400-500-600	400-500-600

	Product Code	Description	Price (Inc. VAT)	Watt	BTU (ΔT =50)	BTU (ΔT =60)
<b>FLAT TYPE 10</b>	PN1030180VF0093	Vertical Flat Radiator Type 10 300*1800	£371,30	518	1766	2240
	PN1040180VF0093	Vertical Flat Radiator Type 10 400*1800	£489,92	648	2210	2802
	PN1050180VF0093	Vertical Flat Radiator Type 10 500*1800	£539,20	576	1964	2491
	PN1060180VF0093	Vertical Flat Radiator Type 10 600*1800	£603,91	901	3072	3896
<b>FLAT TYPE 20</b>	PN2030180VF0093	Vertical Flat Radiator Type 20 300*1800	£588,18	631	2152	2728
	PN2040180VF0093	Vertical Flat Radiator Type 20 400*1800	£694,73	810	2762	3502
	PN2050180VF0093	Vertical Flat Radiator Type 20 500*1800	£862,58	990	3376	4281
	PN2060180VF0093	Vertical Flat Radiator Type 20 600*1800	£980,78	1170	3990	5059
<b>LINE TYPE 10</b>	PN1030180VL0093	Vertical Line Radiator Type 10 300*1800	£427,00	518	1766	2240
	PN1040180VL0093	Vertical Line Radiator Type 10 400*1800	£563,40	648	2210	2802
	PN1050180VL0093	Vertical Line Radiator Type 10 500*1800	£620,07	576	1964	2491
	PN1060180VL0093	Vertical Line Radiator Type 10 600*1800	£694,49	901	3072	3896
<b>LINE TYPE 20</b>	PN2030180VL0093	Vertical Line Radiator Type 20 300*1800	£676,40	631	2152	2728
	PN2040180VL0093	Vertical Line Radiator Type 20 400*1800	£798,94	810	2762	3502
	PN2050180VL0093	Vertical Line Radiator Type 20 500*1800	£991,96	990	3376	4281
	PN2060180VL0093	Vertical Line Radiator Type 20 600*1800	£1.127,90	1170	3990	5059

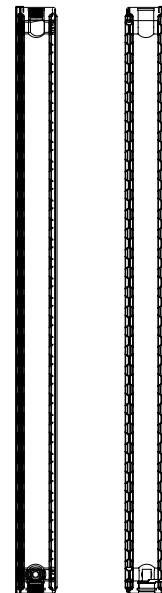
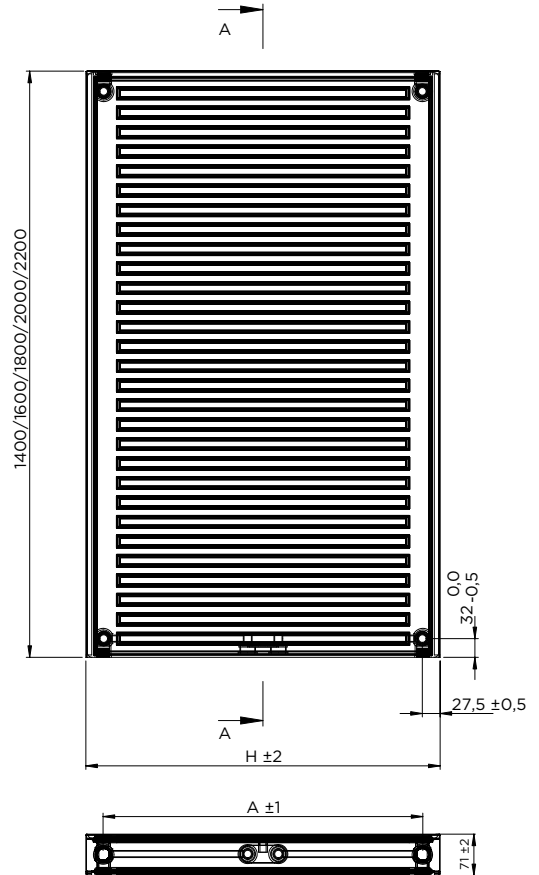
# Vertical Panel Dimensions

**Type 10  
Vertical Panel**



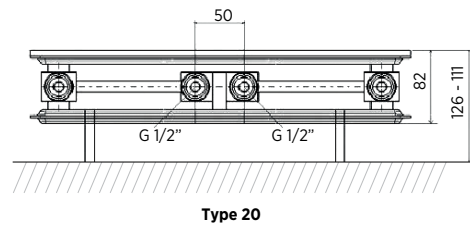
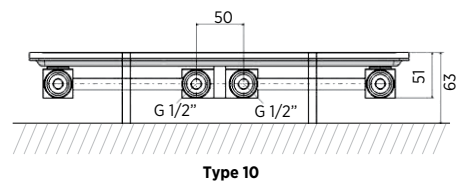
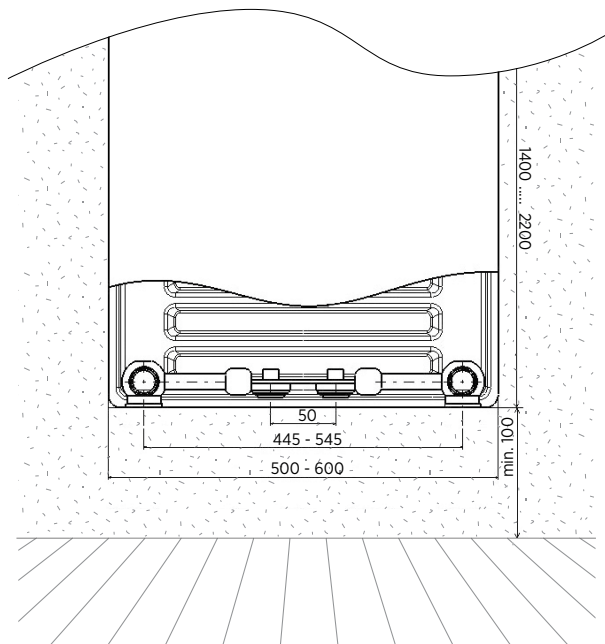
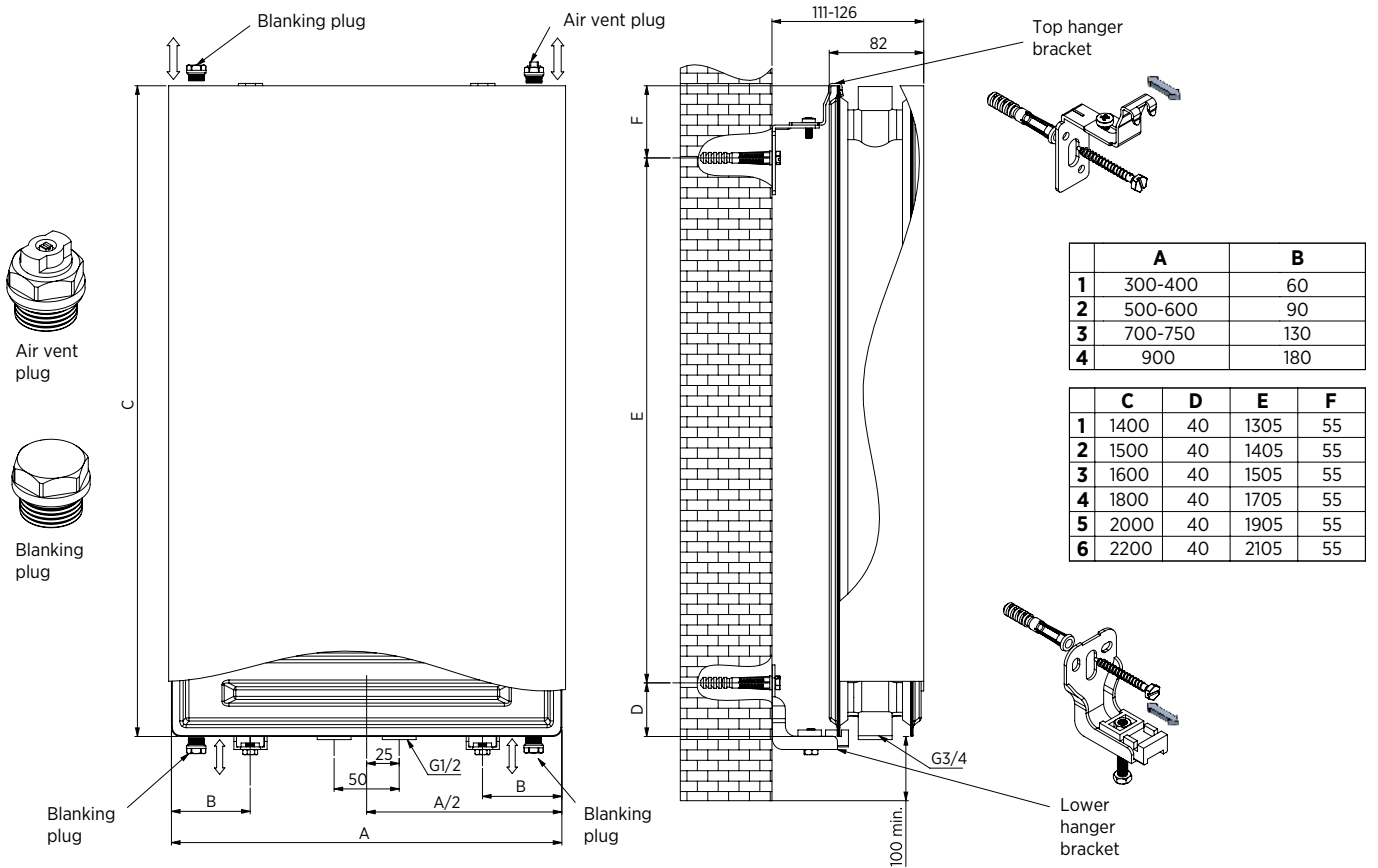
Cross-Section  
A-A

**Type 20  
Vertical Panel**



Cross-Section  
A-A

H	300	400	500	600	700	900
A	245	345	445	545	645	845





#### **Management Office**

Nidakule Ataşehir Kuzey  
Barbaros Mah. Begonya Sok.  
No: 3 K: 19 D: 170-175  
34746, Ataşehir / İstanbul / Türkiye

**T** +90 216 300 16 50

---

#### **Factory**

Taşpınar Mahallesi  
TEKNOSAB 1. Cadde No: 12  
16700, Karacabey / Bursa / Türkiye

**T** +90 224 295 94 00

**F** +90 224 411 23 77

---

#### **United Kingdom (Subsidiary)**

Unit 7, St Martins Business Centre  
St Martins Way, Bedford MK42 0LF, England

**T** +44 207 164 6233

**F** +44 207 000 1336